

Geländerteile aus VA / Geländerpfostenhalter

stainless steel railing components / balustrade post brackets



Pfostenhalter Set
post anchor Set

Lichte Weite inkl. Wandplatte 50 mm, Korn 320
distance wall - post 50 mm, grain 320

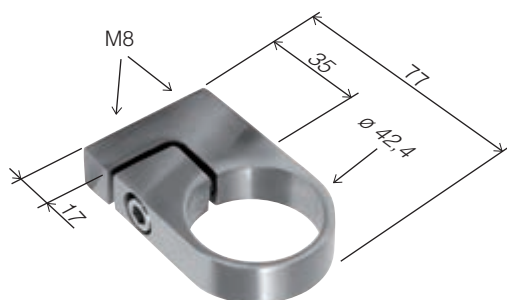
Art.-Nr. art. no.	Material material	Rohr Ø tube Ø	Bohrung Ø hole Ø
10 24 09 45	A2 I 304	42,4	11



Geländerpfostenhalter mit Klemmschnellen
post wall mount with clamps

Lichte Weite inkl. Wandplatte 45 mm, Korn 320
distance wall - post 45 mm, grain 320

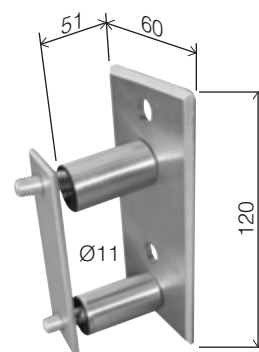
Art.-Nr. art. no.	Material material	Rohr Ø tube Ø	Bohrung Ø hole Ø
10 40 32 00	A2 I 304	42,4	14 x 20



Klemmschelle
round tube clamp

Lichte Weite 35 mm, Innengewinde 2x M8, Korn 320
distance - post 35 mm, internal thread 2x M8, grain 320

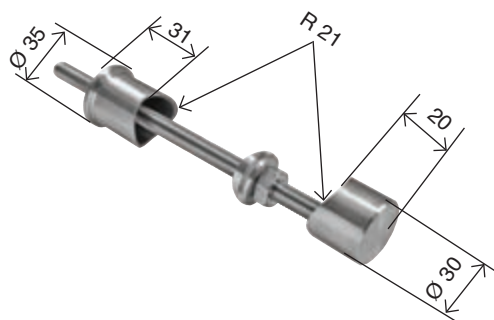
Art.-Nr. art. no.	Material material	Rohr Ø tube Ø
10 40 30 00	A2 I 304	42,4



Pfostenhalter Set
post anchor Set

Lichte Welle inkl. Wandplatte 51 mm, Korn 320
distance wall plate - post. 51 mm, grain 320

Art.-Nr. art. no.	Material material	Bohrung hole
10 30 35 00	A2 I 304	60 x 120

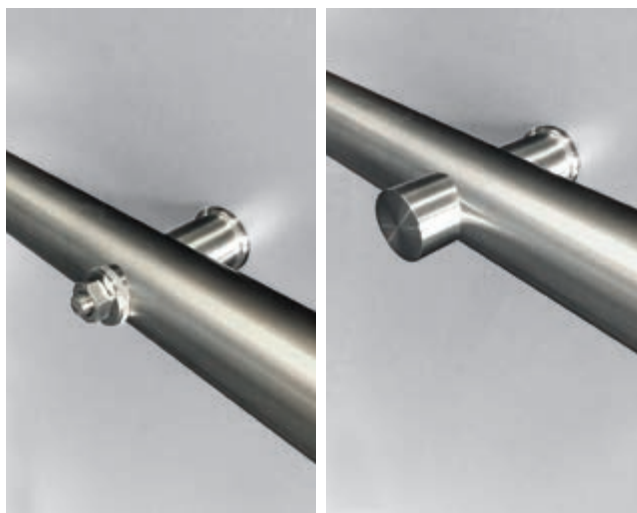


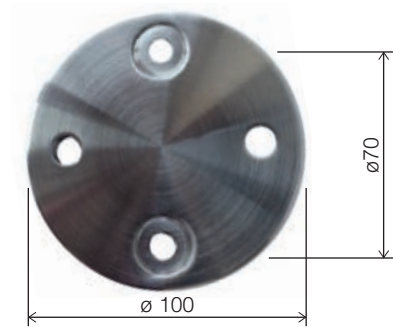
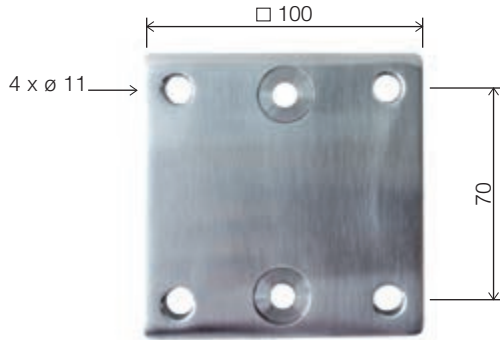
Befestigungselement
fixing element

Lichte Weite 31 mm, Korn 320 | distance - tube 31 mm, grain 320

Art.-Nr. art. no.	Material material	Gewinde thread
10 50 28 00	A2 I 304	M10

Ideal als Befestigungselement für Geländer oder Pfosten
ideal as a fixing element for railings or posts





Systemplatte
post wall mounting plate

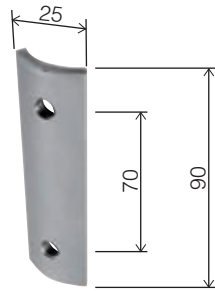
Systemplatte
post wall mounting plate

Eckig, Korn 320 | square, grain 320

Rund, Korn 320 | round, grain 320

Art.-Nr. art. no.	Material material	
10 50 11 00	A2 304	□ 100

Art.-Nr. art. no.	Material material	
10 50 00 00	A2 304	100



Montageplatte
mounting plate

Distanzhülse für Systemplatten
spacers for wall mount

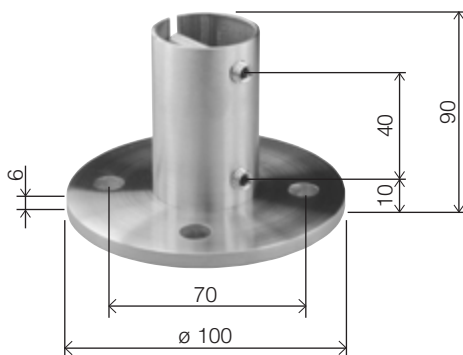
Innenliegend, roh | internal, raw

Korn 320 | grain 320

Art.-Nr. art. no.	Material material	Rohr Ø tube Ø
10 50 09 00	A2 304	42,4

Art.-Nr. art. no.	Material material	Ø	L
10 50 02 00	A2 304	20	30
10 50 03 00	A2 304	20	70

Geeignet | usable f. 10 50 11 00 / 10 50 00 00



Bodenanker geschliffen
floor anchors, brushed

Senkkopfschraube
countersink screw

Verbindungshülse, Korn 240 | with expansion sleeve, grain 240

VA, DIN 7991 | stainless, DIN 7991

Art.-Nr. art. no.	Material material	Rohr Ø tube Ø		
10 50 07 00	A2 304	42,4 x 2,0	100	6
10 55 42 00	A4 316	42,4 x 2,0	100	6

Art.-Nr. art. no.	Material material	Gewinde thread
S7991A2D8X50	A2 304	M8 x 50
S7991A2D8X90	A2 304	M8 x 90