

Geländerteile aus VA / Rohrverbinder + Zubehör

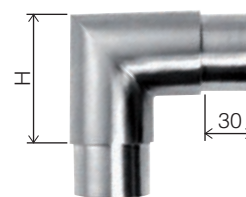
stainless steel railing components / tube connectors + accessories



Rohrverbinder
tube connectors

90° Rund, Korn 320
90° round, grain 320

Art.-Nr. art. no.	Material material	Rohr Ø tube Ø	H
10 30 00 00	A2 304	33,7 x 2,0	48
10 30 01 00	A2 304	42,4 x 2,0	52
10 40 35 00	A2 304	48,3 x 2,0	64
10 55 24 00	A4 316	33,7 x 2,0	55
10 55 25 00	A4 316	42,4 x 2,0	65



Rohrverbinder
tube connectors

90° Eckig, Korn 320
90° square, grain 320

Art.-Nr. art. no.	Material material	Rohr Ø tube Ø	H
10 30 02 00	A2 304	33,7 x 2,0	52
10 30 03 00	A2 304	42,4 x 2,0	52
10 40 36 00	A2 304	48,3 x 2,0	58
10 55 26 00	A4 316	33,7 x 2,0	55
10 55 27 00	A4 316	42,4 x 2,0	65



Endbogen
end elbow

Flach, Korn 320
flat, grain 320

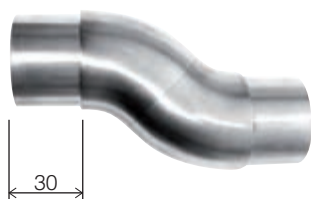
Art.-Nr. art. no.	Material material	Rohr Ø tube Ø
10 30 97 00	A2 304	42,4 x 2,0



Rohrverbinder
tube connectors

135°, Korn 320
135°, grain 320

Art.-Nr. art. no.	Material material	Rohr Ø tube Ø	H
10 30 75 00	A2 304	33,7 x 2,0	30
10 30 76 00	A2 304	42,4 x 2,0	37
10 40 37 00	A2 304	48,3 x 2,0	44
10 55 30 00	A4 316	33,7 x 2,0	25
10 55 31 00	A4 316	42,4 x 2,0	50



Rohrverbinder
tube connectors

Stufenlos, verdrehbar, Korn 320
infinitely adjustable, grain 320

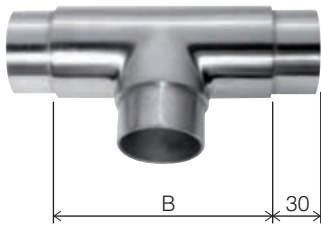
Art.-Nr. art. no.	Material material	Rohr Ø tube Ø
10 30 18 01	A2 304	33,7 x 2,0
10 30 19 01	A2 304	42,4 x 2,0



Rohrverbinder
tube connectors

180°, Korn 320
180°, grain 320

Art.-Nr. art. no.	Material material	Rohr Ø tube Ø
10 30 78 00	A2 304	33,7 x 2,0
10 30 79 00	A2 304	42,4 x 2,0
10 55 34 00	A4 316	33,7 x 2,0
10 55 35 00	A4 316	42,4 x 2,0



Rohrverbinder tube connectors

T-Stück, Korn 320
T-connector, grain 320

Art.-Nr. art. no.	Material material	Rohr Ø tube Ø	B
10 30 74 00	A2 304	33,7 x 2,0	50
10 30 04 00	A2 304	42,4 x 2,0	60
10 55 28 00	A4 316	33,7 x 2,0	50
10 55 29 00	A4 316	42,4 x 2,0	60

Rohrverbinder tube connectors

Eckverbinder 3-fach, Korn 320
corner connector, grain 320

Art.-Nr. art. no.	Material material	Rohr Ø tube Ø	H
10 30 77 00	A2 304	33,7 x 2,0	52
10 30 05 00	A2 304	42,4 x 2,0	52
10 55 32 00	A4 316	33,7 x 2,0	55
10 55 33 00	A4 316	42,4 x 2,0	65



10 30 17 00

10 30 10 00
10 30 11 00

Rohrverbinder tube connectors

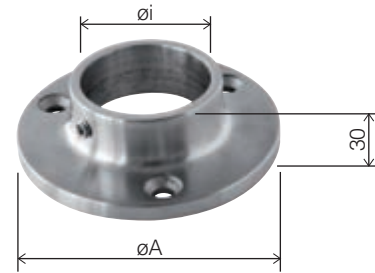
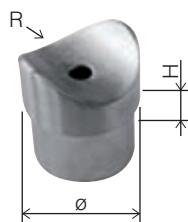
Mit Gelenk, Korn 320
with joint, grain 320

Art.-Nr. art. no.	Material material	Rohr Ø tube Ø	H
10 30 80 00	A2 304	33,7 x 2,0	22
10 30 06 00	A2 304	42,4 x 2,0	28
10 55 36 00	A4 316	33,7 x 2,0	26
10 55 37 00	A4 316	42,4 x 2,0	28

Sprezhülse expansion sleeves

Mit Klemmbacken, Korn 320
with clamping, grain 320

Art.-Nr. art. no.	Material material	Rohr Ø tube Ø
10 30 17 00	A2 304	42,4 x 2,0
10 30 10 00	A2 304	42,4 x 2,0
10 30 11 00	A2 304	42,4 x 2,6



Anschlussstück tube adapters

90°, Korn 320 | 90°, grain 320

Art.-Nr. art. no.	Material material	Rohr Ø tube Ø	H	R
10 30 81 00	A2 304	33,7 x 2,0	6	33,7
10 30 56 00	A2 304	33,7 x 2,0	6	42,4
10 30 15 00	A2 304	42,4 x 2,0	12	42,4

Flanschplatte flange plates

Korn 320 | grain 320

Art.-Nr. art. no.	Material material	Ø i	Ø A
10 30 82 00	A2 304	33,7	85
10 30 83 00	A2 304	42,4	95

Geländerteile aus VA / Rohrverbinder + Zubehör

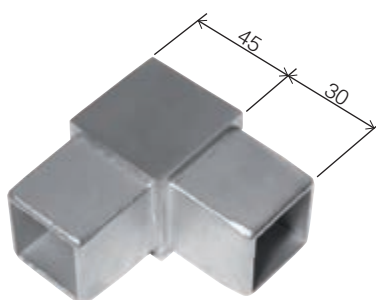
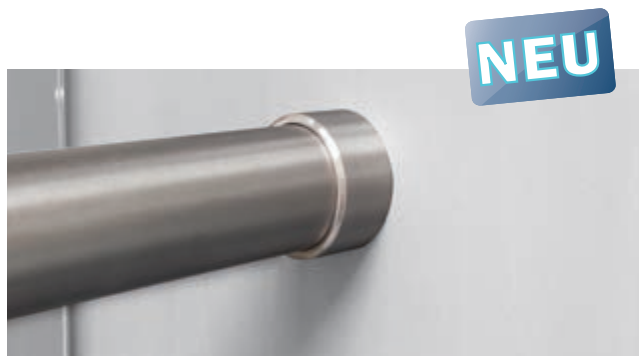
stainless steel railing components / tube connectors + accessories



Wandanschluss
wall mounting

2 tlg. Langloch 8,5 x 20 | 2 pcs. oblong hole 8,5 x 20

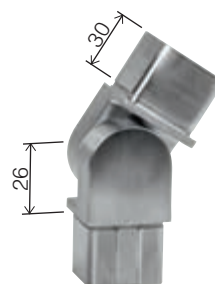
Art.-Nr. art. no.	Material material	Rohr Ø tube Ø
10 24 47 42	A2 304	42,4



Eckverbinder
corner connector

90°, Korn 320
90°, grain 320

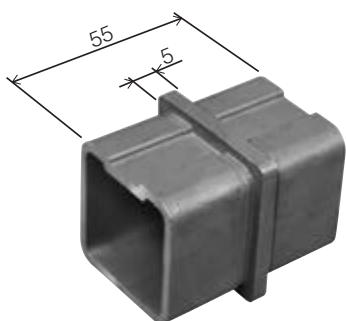
Art.-Nr. art. no.	Material material	Rohr tube
10 30 49 01	A2 304	40 x 40 x 2,0



Verbinder
connector

Mit Gelenk, Korn 320
with joint, grain 320

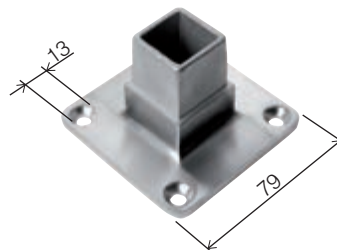
Art.-Nr. art. no.	Material material	Rohr tube
10 30 57 01	A2 304	40 x 40 x 2,0



Rohrverbinder
tube connector

180°, Korn 320
180°, grain 320

Art.-Nr. art. no.	Material material	Rohr tube
10 30 65 00	A2 304	40 x 40 x 2,0



Flanschplatte
flange plate

Grundplatte 79 x 79, 4 x Ø 8,5, Korn 320
baseplate 79 x 79, 4 x Ø 8,5, grain 320

Art.-Nr. art. no.	Material material	Rohr tube
10 30 55 00	A2 304	40 x 40 x 2,0



Anschweißbogen
welding elbows

Korn 320 | grain 320

Art.-Nr. art. no.	Material material	Rohr Ø tube Ø	H
10 30 22 00	A2 304	33,7 x 2,0	38
10 30 23 00	A2 304	42,4 x 2,0	48
10 20 83 48	A2 304	48,3 x 2,0	57

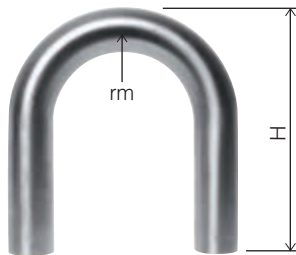


Anschweißbogen
welding elbows

90°, Korn 240 (nach dem biegen nicht nachgeschliffen)
90°, grain 240 (after bending surface not brushed)

Art.-Nr. art. no.	Material material	Rohr Ø tube Ø	rm*	B
10 90 12 00	A2 304	33,7 x 2,0	70	180
10 90 13 00	A2 304	42,4 x 2,0	100	240

* Mittlerer Biegeradius | middle bending radius

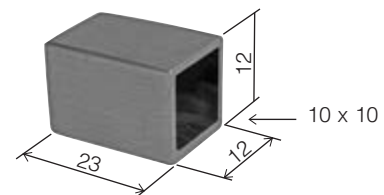


Anschweißbogen
welding elbows

180°, Korn 240 (nach dem Biegen nicht nachgeschliffen)
180°, grain 240 (after bending surface not brushed)

Art.-Nr. art. no.	Material material	Rohr Ø tube Ø	rm*	H
10 90 08 00	A2 304	33,7 x 2,0	70	180
10 90 11 00	A2 304	42,4 x 2,0	100	220

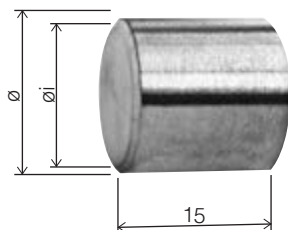
* Mittlerer Biegeradius | middle bending radius



NEU

Endkappe
endcap

Art.-Nr. art. no.	Material material	Für Stab for balusters
10 40 79 00	A2 304	10 x 10



NEU

Endkappe
endcaps

Art.-Nr. art. no.	Material material	Ø i	Ø
10 40 77 00	A2 304	10	12
10 40 78 00	A2 304	12	15

